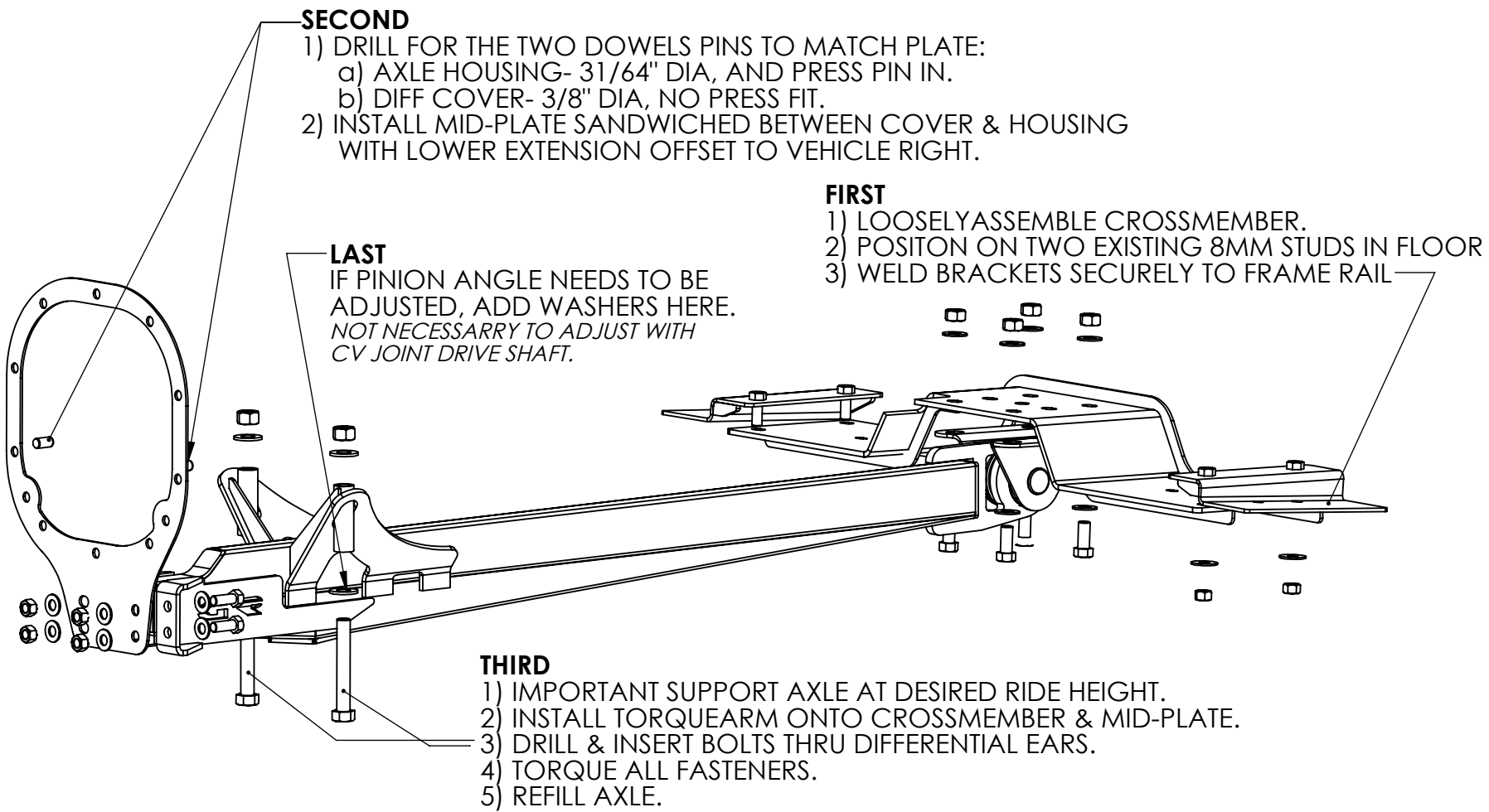


Fastener Torque	Ft-Lbs
3/8"-24 SAE	38-42
7/16-20 SAE	55-65



SECOND
 1) DRILL FOR THE TWO DOWEL PINS TO MATCH PLATE:
 a) AXLE HOUSING- 31/64" DIA, AND PRESS PIN IN.
 b) DIFF COVER- 3/8" DIA, NO PRESS FIT.
 2) INSTALL MID-PLATE SANDWICHED BETWEEN COVER & HOUSING WITH LOWER EXTENSION OFFSET TO VEHICLE RIGHT.

FIRST
 1) LOOSELY ASSEMBLE CROSSMEMBER.
 2) POSITION ON TWO EXISTING 8MM STUDS IN FLOOR
 3) WELD BRACKETS SECURELY TO FRAME RAIL

LAST
 IF PINION ANGLE NEEDS TO BE ADJUSTED, ADD WASHERS HERE.
 NOT NECESSARY TO ADJUST WITH CV JOINT DRIVE SHAFT.

THIRD
 1) IMPORTANT SUPPORT AXLE AT DESIRED RIDE HEIGHT.
 2) INSTALL TORQUE ARM ONTO CROSSMEMBER & MID-PLATE.
 3) DRILL & INSERT BOLTS THRU DIFFERENTIAL EARS.
 4) TORQUE ALL FASTENERS.
 5) REFILL AXLE.

PROPRIETARY AND CONFIDENTIAL
 THE INFORMATION CONTAINED IN THIS DRAWING IS THE SOLE PROPERTY OF GRIGGS RACING PRODUCTS, INC. ANY REPRODUCTION IN PART OR AS A WHOLE WITHOUT THE WRITTEN PERMISSION OF GRIGGS RACING PRODUCTS, INC. IS PROHIBITED.

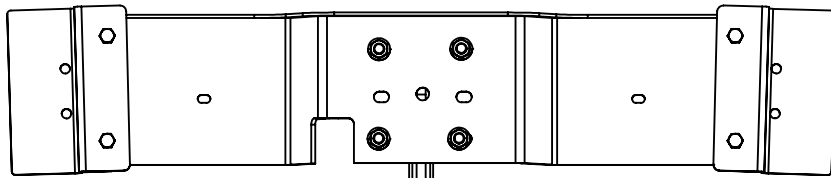
		DIMENSIONS ARE IN INCHES TOLERANCES: FRACTIONAL ± 1/16" ANGULAR: MACH ± 1/8° BEND ± 1/2° TWO PLACE DECIMAL ± .05 THREE PLACE DECIMAL ± .005 MATERIAL		NAME	DATE
		-		DRAWN	PR 7/21/2015
				CHECKED	
				ENG APPR.	
				MFG APPR.	
				Q.A.	
				FINISH	Plain
NEXT ASSY	USED ON	DO NOT SCALE DRAWING			
APPLICATION					

griggs racing products
 21750 8th St E,
 Sonoma, CA 95476

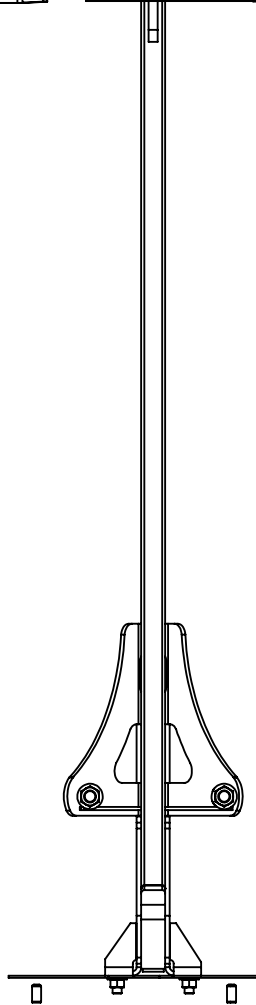
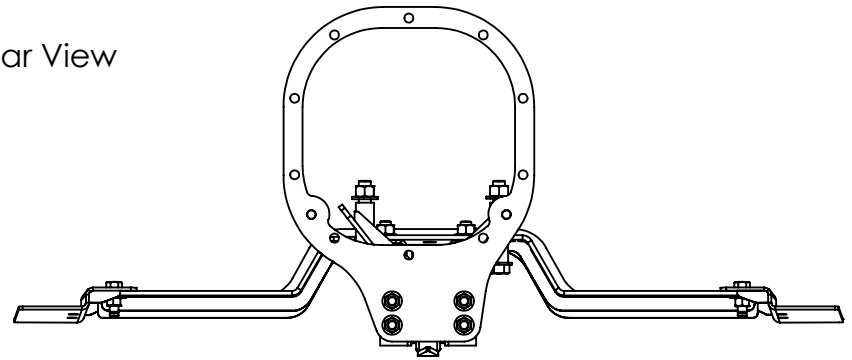
**TorqueArm Kit
 w/ Mid-Plate
 Installation.**

SIZE	DWG. NO.	REV.
A	MTA 6000 C	-
SCALE:1:6	WEIGHT:	SHEET 2 OF 3

COMMENTS:



Rear View



UNLESS OTHERWISE SPECIFIED:		NAME	DATE	griggs racing 21750 8th St East #C Sonoma, CA 95476 Complete TorqueArms Assembly Kit		
DIMENSIONS ARE IN INCHES		DRAWN	BG			06/26/15
TOLERANCES:		CHECKED				
FRACTIONAL ±1/16		ENG APPR.				
ANGULAR: MACH ±.05 BEND ±.1		MFG APPR.				
TWO PLACE DECIMAL ±.05		Q.A.			SIZE DWG. NO. REV A MTA 6000 C	
THREE PLACE DECIMAL ±.005		COMMENTS:				
INTERPRET GEOMETRIC TOLERANCING PER:					SCALE: 1:8	
MATERIAL					WEIGHT: 6.25lbs	
FINISH: PLAIN, or OPTIONAL PC GRAY HAMMER					SHEET 3 OF 3	
DO NOT SCALE DRAWING						

PROPRIETARY AND CONFIDENTIAL THE INFORMATION CONTAINED IN THIS DRAWING IS THE SOLE PROPERTY OF <INSERT COMPANY NAME HERE>. ANY REPRODUCTION IN PART OR AS A WHOLE WITHOUT THE WRITTEN PERMISSION OF <INSERT COMPANY NAME HERE> IS PROHIBITED.	NEXT ASSY	USED ON
	APPLICATION:	

5

4

3

2

1